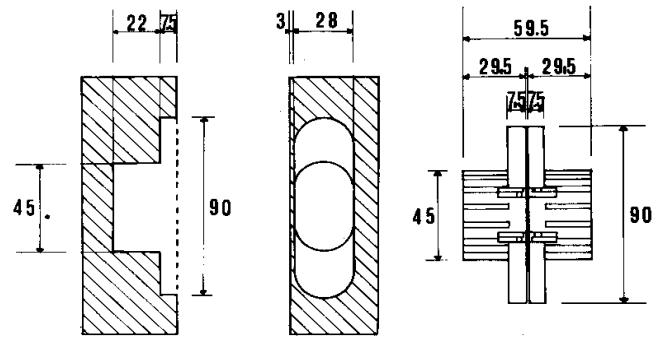




Izerwaren
Order
numbers

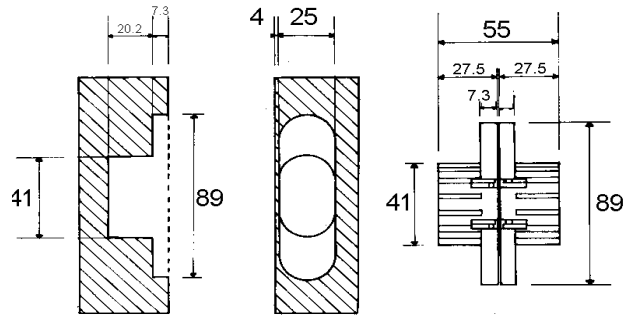
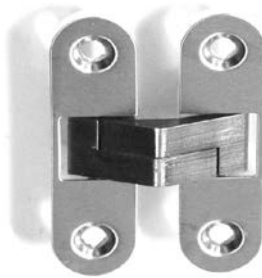
- Stainless steel, nylon and brass parts

41.078 Invisible hinge
 For medium heavy doors: 88 lbs. using two hinges
 Dimensions: 90 x 28 x 29.5
 ~ 3 1/2" x 1 1/8" x 1 3/16"
 Min. door thickness: 35 mm / 1 1/2"
 180 degree opening
 White nylon and st. steel parts



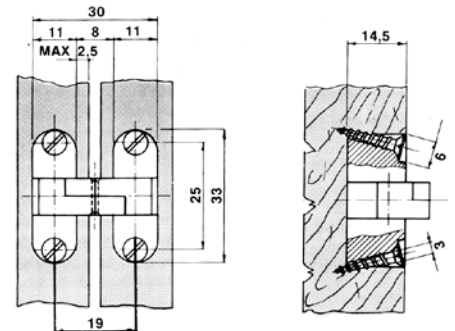
#41.078 Invisible hinge "INOX 78"; door thickness 1 1/2" minimum

41.066 Invisible hinge
 For medium heavy doors 88 lbs. using two hinges
 Dimensions: 89 x 25 x 27.5
 ~ 3 1/2" x 1 1/8" x 1 3/16"
 Min. door thickness: 31 mm / 1 1/4"
 180 degree opening
 White nylon and st. steel parts



#41.066 Invisible hinge "INOX 66", door thickness 1 1/4" minimum

41.020 Invisible hinge
 For light doors: 22 lbs using 2 hinges
 33 x 11 x 14.5 mm
 ~ 1 5/16" x 7/16" x 9/16"
 Min. door thickness: 15 mm / 5/8"
 180 degree opening
 White or black nylon with nickel plated brass



#41.020 invisible hinge "INOX 20", door thickness 5/8" minimum in white or black

41.088 Invisible hinge
 For medium to light doors: 50 to 22 lbs using 2 hinges
 88 x 18 x 13 mm
 Minimum door thickness: 24 mm
 180 degree opening
 Brass with stainless steel pins

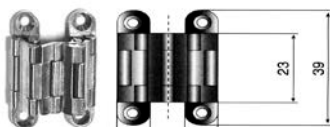
41.052 Invisible hinge
 For medium to light doors: 40 to 22 lbs using 2 hinges
 52 x 18 x 13 mm ~
 Minimum door thickness: 24 mm
 180 degree opening
 Brass with stainless steel pins



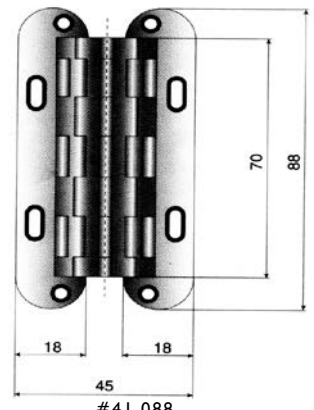
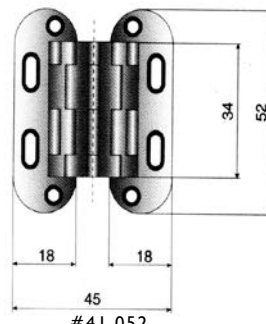
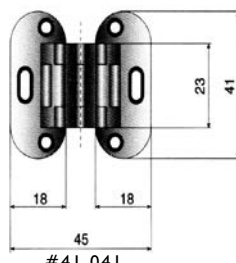
#41.041 #41.052 #41.088 For door thickness from 24 mm to 35 mm ~ 1" to 1 1/4"

41.041 Invisible hinge
 For light doors: 22 lbs using 2 hinges
 41 x 18 x 13 mm ~
 Minimum door thickness: 24 mm
 180 degree opening
 Brass with stainless steel pins

41.039 Invisible hinge
 For light doors:
 39 x 28 x 9 mm ~
 Minimum door thickness: 12 mm
 180 degree opening
 Brass with stainless steel pins



#41.039 Details on Page 4-1-1





IZERWAREN
Order
numbers

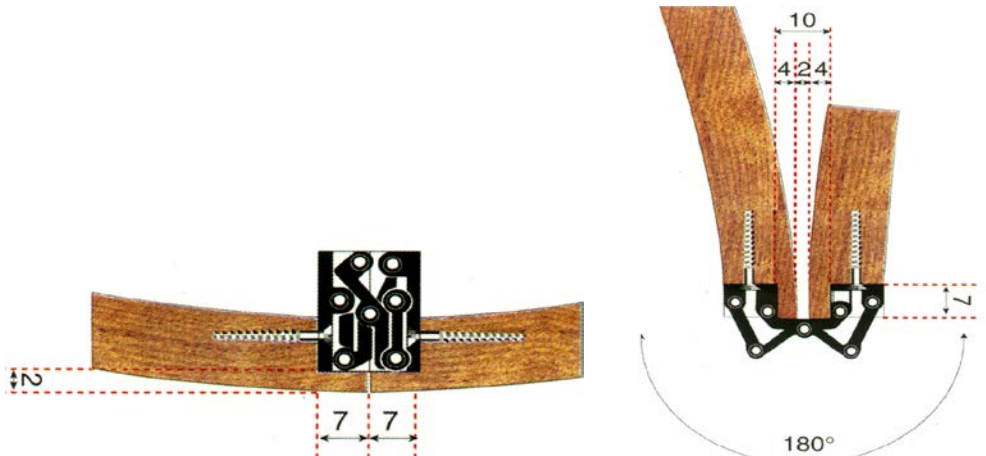
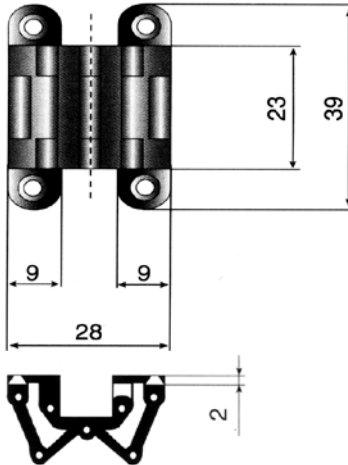
Invisible Hinges

- Seawater Resistant
Finish: Satin nickel plated

MINI INVISIBLE HINGES WITH STAINLESS STEEL PINS



invisible hinge for minimum door thickness 1/2"



Small Invisible Hinge 41.039, minimum door thickness 1/2"

- 41.039 **Invisible hinge**
For cabinet doors
Dimensions: 28 x 39 x 9 mm
Minimum door thickness: 11 mm
or 1/2"
180 degree opening

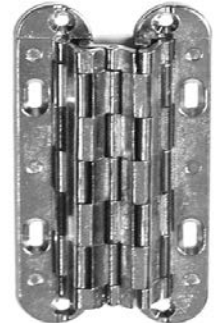
- 41.088 **Invisible hinge**
For medium weight doors: 50 to
22 lbs using 2 hinges
88 x 18 x 13 mm ~
Minimum door thickness: 24 mm
180 degree opening



41.041



41.052

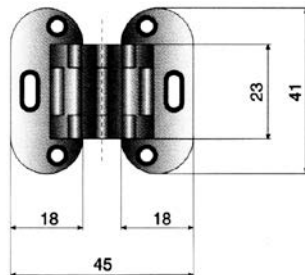


41.088

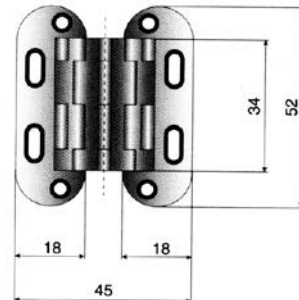
SEPA hinge for door thickness from 24 mm to 35 mm or 1" to 1 1/4"

- 41.052 **Invisible hinge**
For medium to light doors: 40
to 22 lbs using 2 hinges
52 x 18 x 13 mm ~
Minimum door thickness: 24 mm
180 degree opening

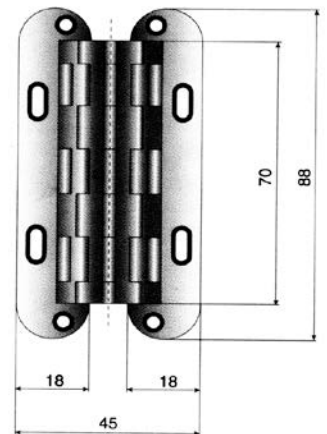
- 41.041 **Invisible hinge**
For light doors: 22 lbs using 2
hinges
41 x 18 x 13 mm ~
Minimum door thickness: 24 mm
180 degree opening



41.041



41.052

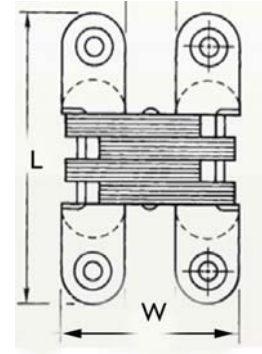


41.088



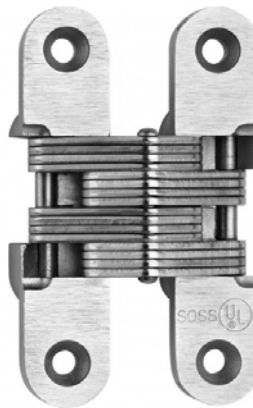
Izerwaren
Order
number

41.418 **“SOSS” type invisible hinge**
 Size hinge:
L: 4 39/64 inch x W: 3 7/64 inch
For full size doors
 Door thickness: 2 inch
 180 degree opening
 Finish: 316 satin stainless steel

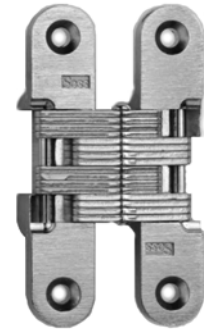


#41.418 Invisible Hinge, minimum door thickness 2 inch Details: see page 4-1-1-1-A

41.417 **“SOSS” type invisible hinge**
 Size hinge:
L: 4 5/8 inch x W: 2 3/4 inch
For full size doors
 Door thickness: 1 3/8 inch
 180 degree opening
 Finish: 316 satin stainless steel



#41.417 Invisible Hinge,
minimum door thickness 1 3/8”
Details: see page 4-1-1-1-B



#41.221 Invisible Hinge,
minimum door thickness 1 1/8 inch
Details: see page 4-1-1-1-C

41.221 **“SOSS” type invisible hinge**
 Size hinge:
L: 3 3/4 inch x W: 2 3/64 inch
 Door thickness: 1 1/8 inch
 180 degree opening
 Finish: 316 satin stainless steel

41.208 **“SOSS” type invisible hinge**
 Size hinge:
L: 2 3/4 inch x W: 1 45/64 inch
 Door thickness: 1 inch
 180 degree opening
 Finish: 316 satin stainless steel



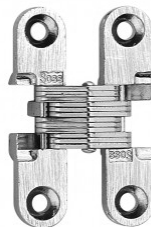
#41.208 Invisible Hinge,
minimum door thickness 1 inch
Details: see page 4-1-1-1-D



#41.204 Invisible Hinge
minimum door thickness 3/4 inch
Details: see page 4-1-1-1-E

41.204 **“SOSS” type invisible hinge**
 Size hinge:
L: 2 3/8 inch x W: 1 3/8 inch
 Door thickness: 3/4 inch
 180 degree opening
 Finish: 316 satin stainless steel

41/101 **“SOSS” type invisible hinge**
 Size hinge:
L: 1 11/16 inch x W: 1 3/64 inch
 Door thickness: 5/8 inch
 180 degree opening
 Finish: 316 satin stainless steel
 Max. Door weight: 7 kg / 15.4 lbs
 using 3 hinges
 Finish: 316 satin stainless steel



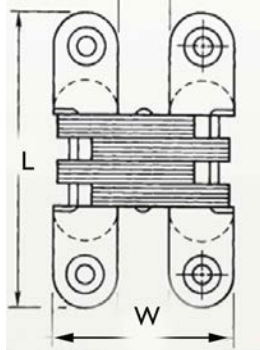
#41.101 Invisible Hinge, minimum door thickness 5/8 inch.



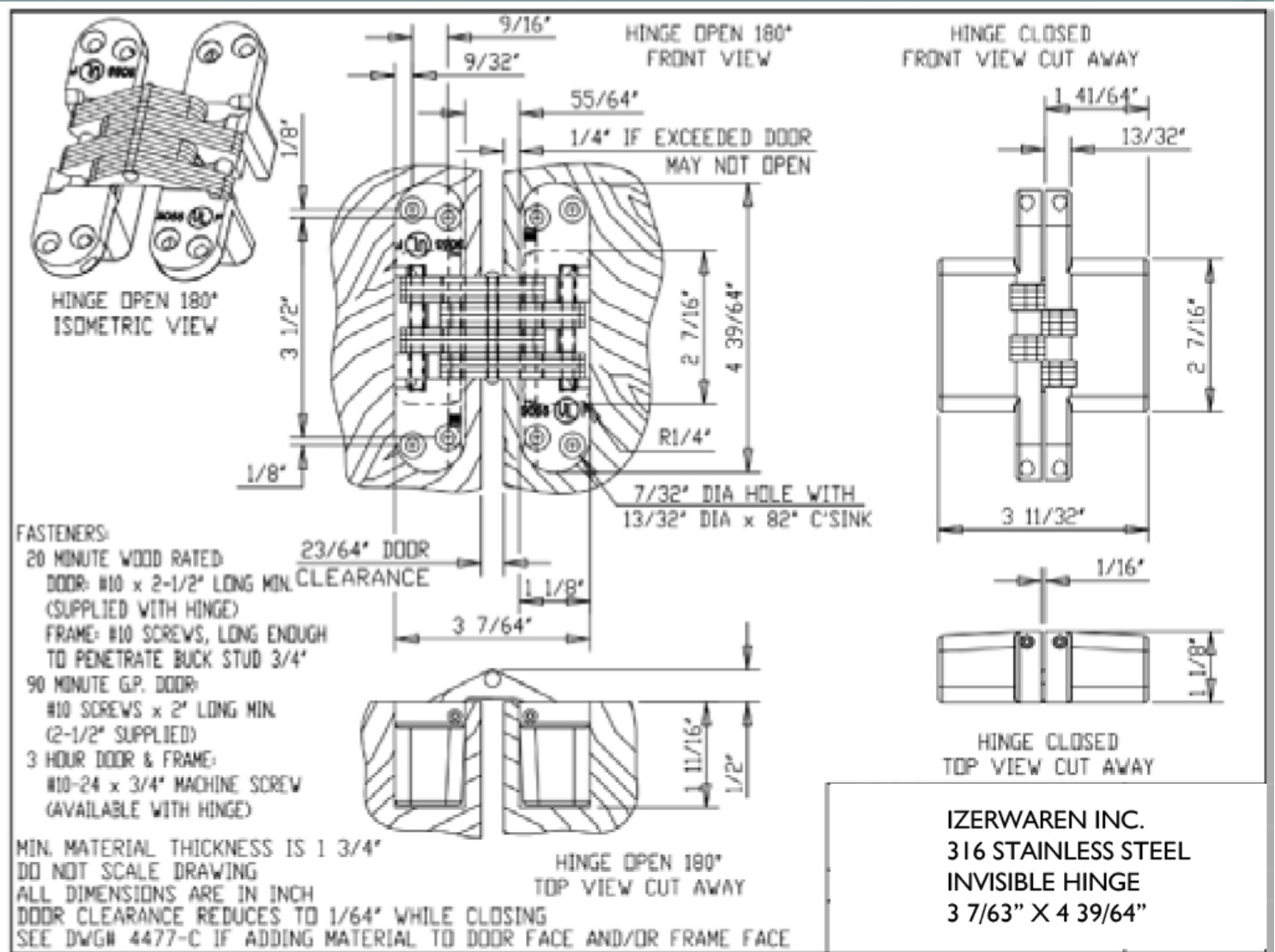
Izerwaren
Order
number

41.418 "SOSS" type invisible hinge

Size hinge:
L: 4 39/64 inch x W: 3 7/64 inch
For full size doors
Door thickness: 2 inch
180 degree opening
Finish: 316 satin stainless steel



#41.418 Invisible Hinge, minimum door thickness 2 inch



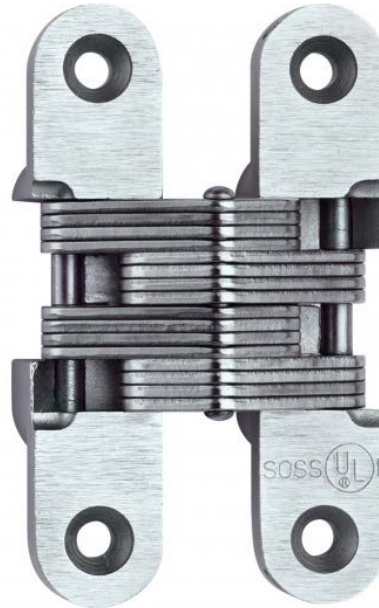
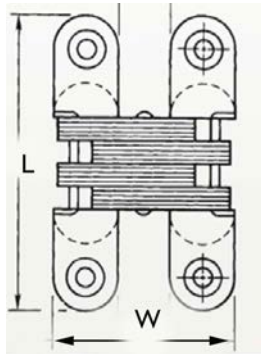
IZERWAREN INC.
316 STAINLESS STEEL
INVISIBLE HINGE
3 7/63" X 4 39/64"



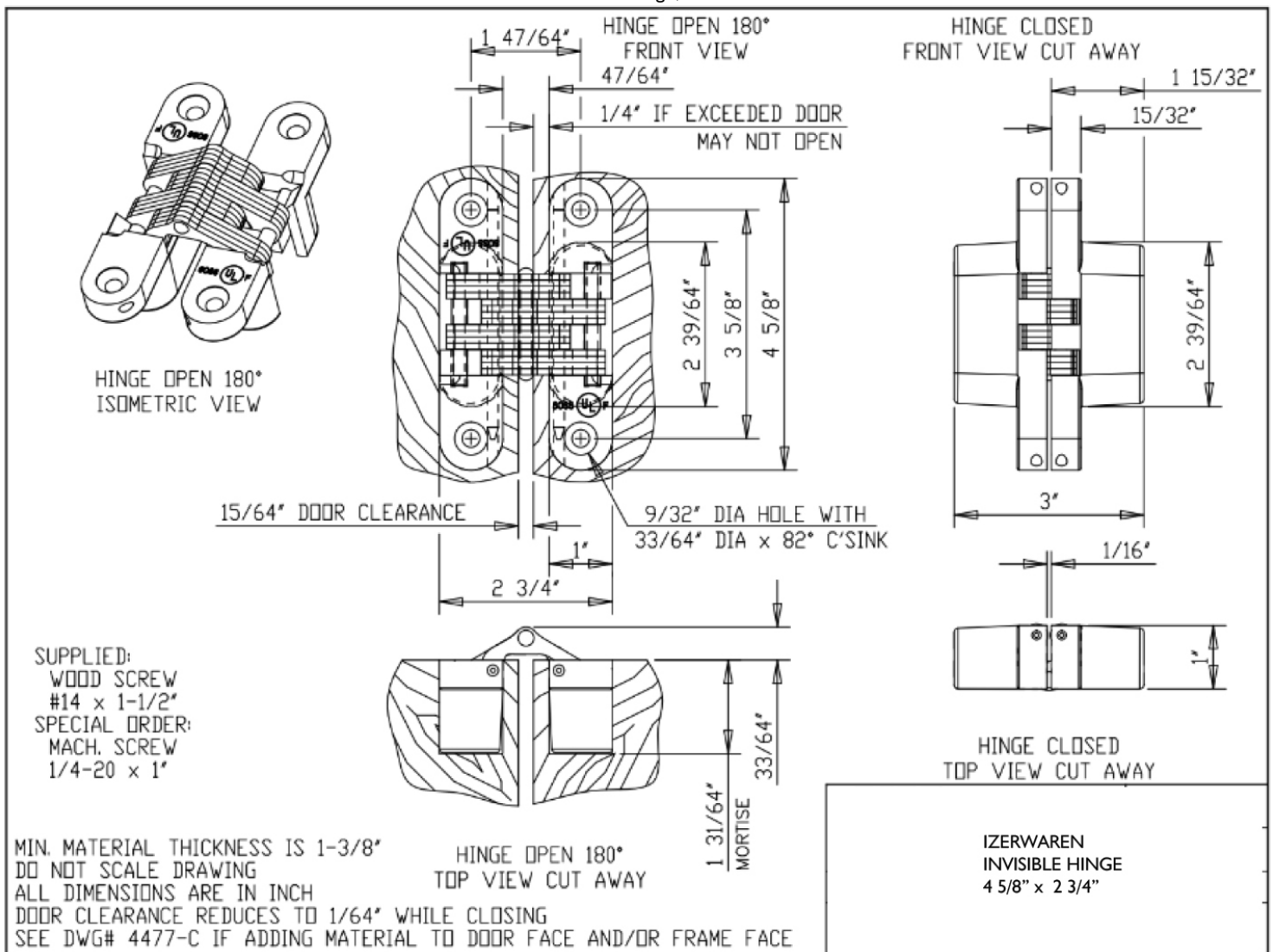
Izerwaren
Order
number

41.417 "SOSS" type invisible hinge

Size hinge:
L: 4 5/8 inch x W: 2 3/4 inch
For full size doors
Door thickness: 1 3/8 inch
180 degree opening
Finish: 316 satin stainless steel



#41.417 Invisible Hinge, minimum door thickness 1 3/8"

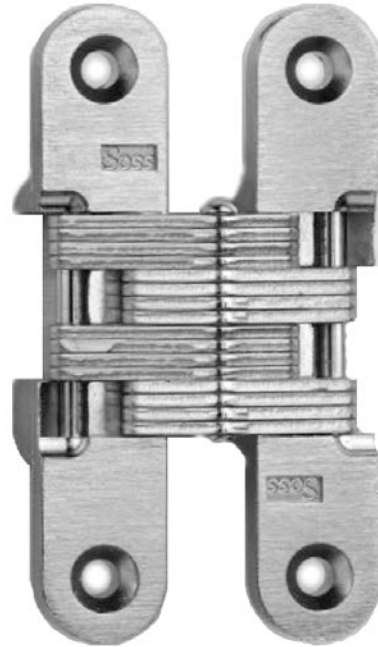
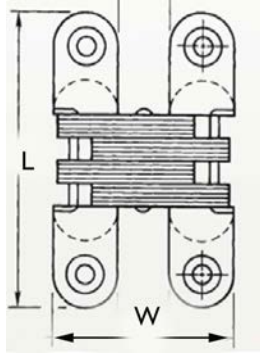




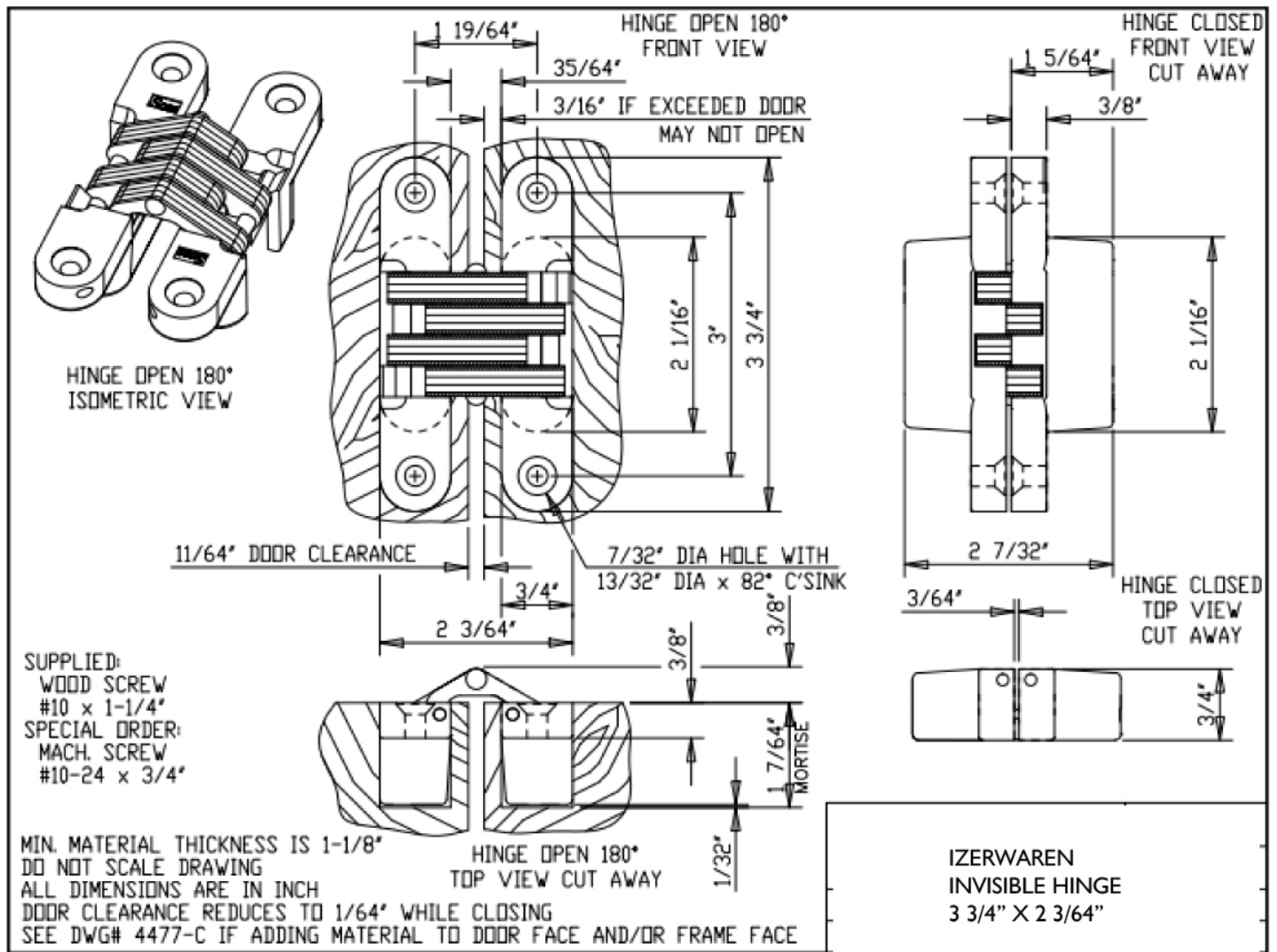
Izerwaren
Order
number

41.221 "SOSS" type invisible hinge

Size hinge:
L: 3 3/4 inch x W: 2 3/64 inch
Door thickness: 1 1/8 inch
180 degree opening
Finish: 316 satin stainless steel



#41.221 Invisible Hinge, minimum door thickness 1 1/8 inch-



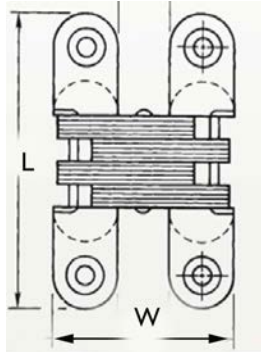


Izerwaren
Order
number

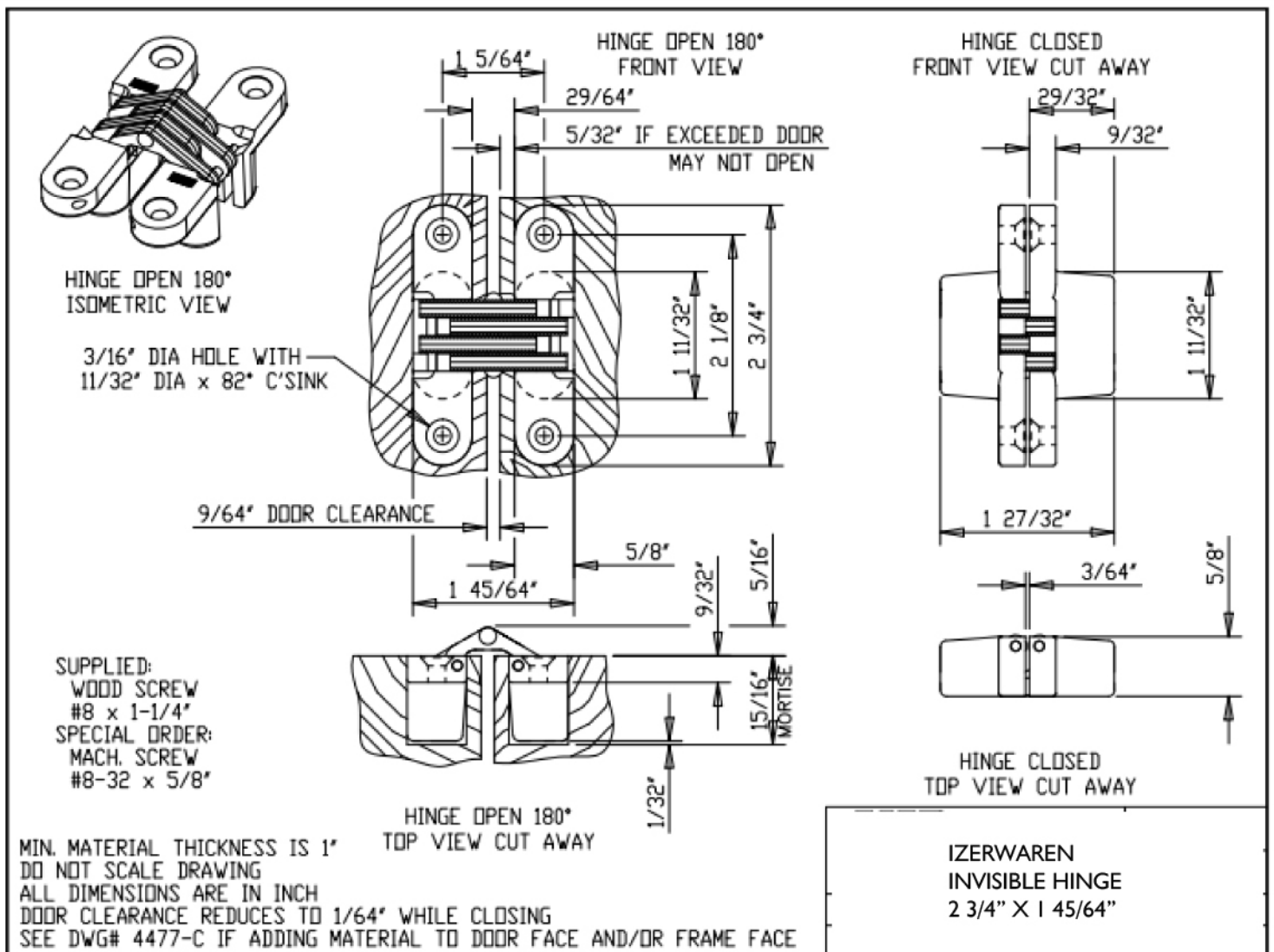
41.208 "SOSS" type invisible hinge

Size hinge:
L: 2 3/4 inch x W: 1 45/64 inch

Door thickness: 1 inch
180 degree opening
Finish: 316 satin stainless steel



#41.208 Invisible Hinge, minimum door thickness 1 inch

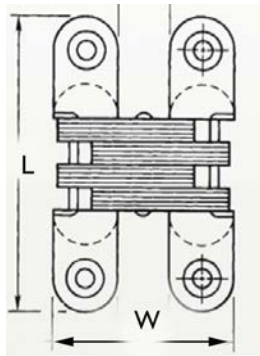




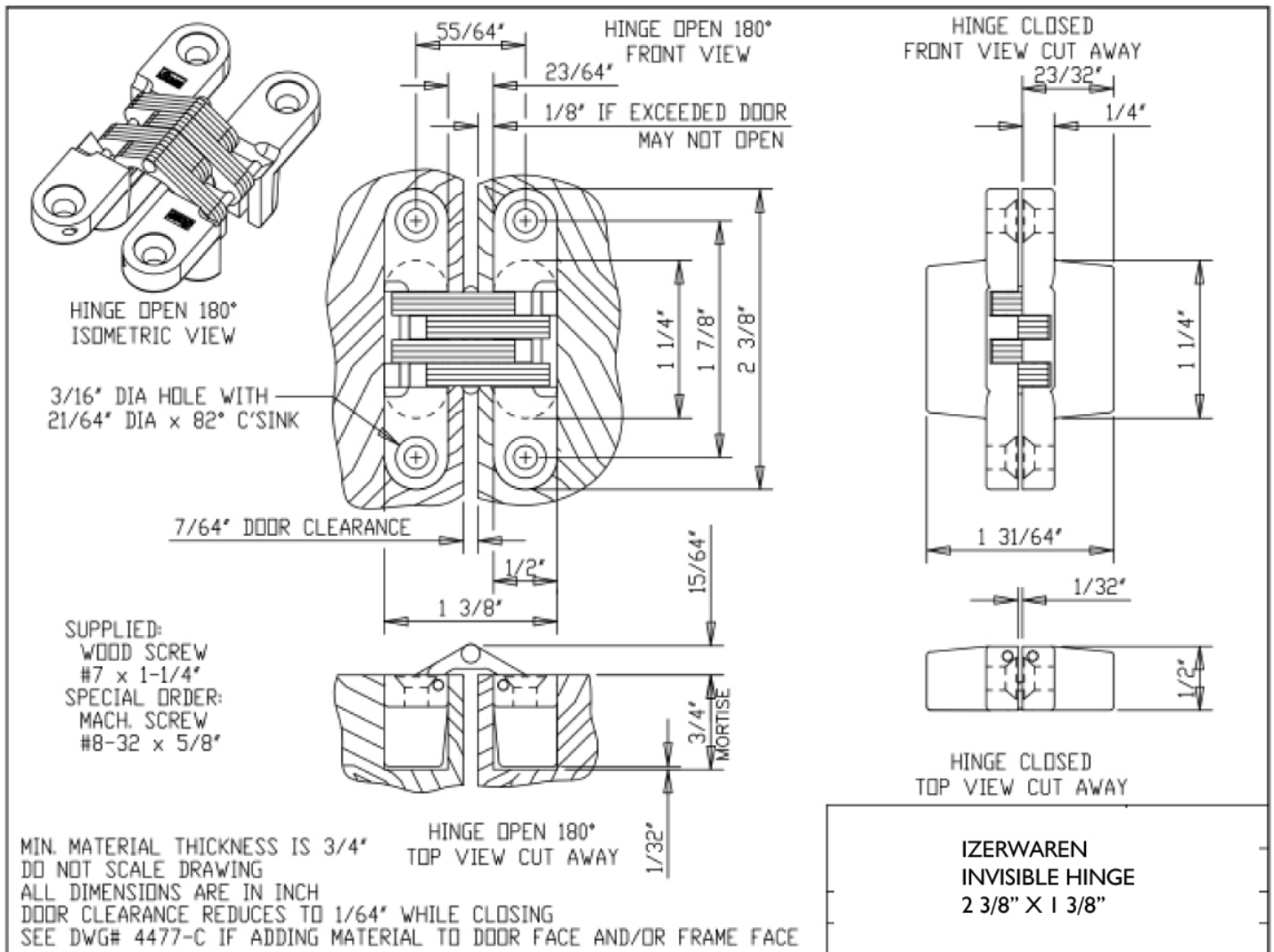
Izerwaren
Order
numbers

41.204 "SOSS" type invisible hinge

Size hinge:
L: 2 3/8 inch x W: 1 3/8 inch
Door thickness: 3/4 inch
180 degree opening
Finish: 316 satin stainless steel



#41.204 Invisible Hinge, minimum door thickness 3/4 inch

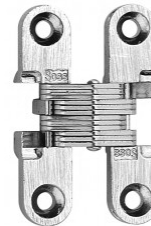
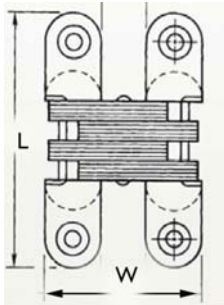




Izerwaren
Order
number

41.101 "SOSS" type invisible hinge

Size hinge:
L: 1 11/16 inch x W: 1 3/64 inch
Door thickness: 5/8 inch
180 degree opening
Finish: 316 satin stainless steel
Max. Door weight: 7 kg / 15.4 lbs
using 3 hinges
Finish: 316 satin stainless steel



#41.101 Invisible Hinge, minimum door thickness 5/8 inch.

